

CONVEYOR ROLLERS

These rollers are used in all forms of industrial production as a part of belt conveyors of driven and non-driven roller tracks. The conveyor rollers from VOMET meet all the requirements for a high quality standard associated with long lifetime and functionality.



Fields of application

Mining industry, chemical industry, metallurgical industry, recycling industry, timber industry, and others



Dimensions supplied

A more detailed specification for each type of a roller



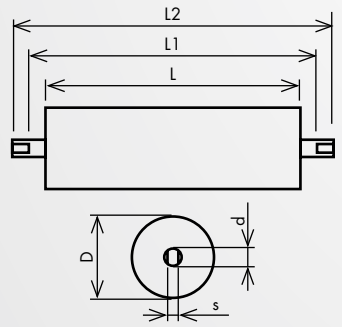
Materials supplied

A more detailed specification for each type of a roller

SMOOTH CONVEYOR ROLLERS
(metal)

Conveyor rollers with an all-metal design are delivered either in all standard sizes or according to customer requirements. The endings of shafts can be supplied upon a request with either inside or outside slanted screw as a guide roller.

- Powder paint finish for extended lifetime
- Bearings 6204 RS with 4-chamber labyrinth seal
- Standardly supplied with a shaft \varnothing 20 mm



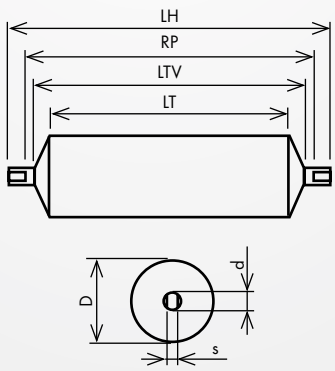
Dimensions supplied

Standard diameters supplied: 51, 60, 76, 89, 108, 133 mm in all lengths

PLASTIC CONVEYOR ROLLERS

With its unique design with tapered ending, no clicking occurs at the place where the shaft is attached in the sleeper. Due to its non-porous nature, the plastic material of the roller ensures that significantly less material is stuck on it in dusty environment and winter months.

- No clicking and sticking
- Lower noise level of the conveyor lines
- In case of overtoiling they do not form a slasher, that could cut the belt



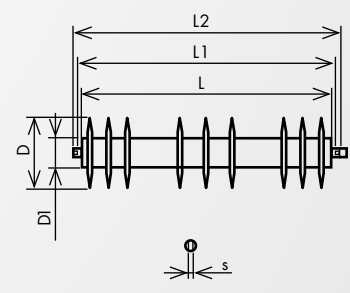
Dimensions supplied

Diameter 89 and 108 mm in all required lengths up to 750 mm

DISC, CIRCULAR AND SPIRAL CONVEYOR ROLLERS

These rollers are used as an alternative to smooth roller conveyors. The advantage of their use is the low contact surface between the belt and the roller, which prevents from sticking of the material to the rollers.

- Prevents sticking of the material to the rollers
- Low contact surface with the belt
- Possibility of combining rollers on the conveyor line



Dimensions supplied

Standard diameters supplied: 108/133 mm in any desired length